

PANEL MOUNT INDICATOR, NON-RELAMPABLE

LED TECHNOLOGY

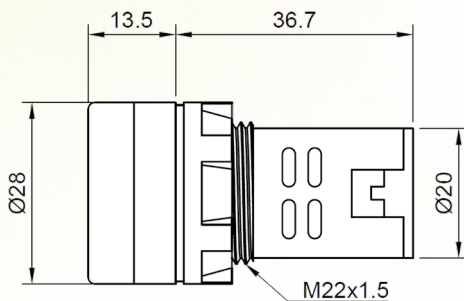
MOUNTING HOLE, Ø 22mm

PART NO.	LENS COLOR	VOLTAGE (AC/DC)	CURRENT [mA]	RATED LIFE HOURS
LED 12VAC/DC SERIES				
WL-42212R	RED	12V	15mA	50,000
WL-42212A	AMBER	12V	15mA	50,000
WL-42212G	GREEN	12V	15mA	50,000
WL-42212B	BLUE	12V	15mA	50,000
WL-42212W	WHITE	12V	15mA	50,000
LED 24VAC/DC SERIES				
WL-42224R	RED	24V	15mA	50,000
WL-42224A	AMBER	24V	15mA	50,000
WL-42224G	GREEN	24V	15mA	50,000
WL-42224B	BLUE	24V	15mA	50,000
WL-42224W	WHITE	24V	15mA	50,000

NOTES

1. Recommended panel thickness
0.24" maximum
2. Storage temperature
T_{STG}: -15°C - +60°C
3. Ambient temperature
T_A: -15°C - +60°C
4. Voltage tolerance
V_{OP}: ±10%
5. AC or DC operation
6. Body material
PBT, black
7. Lens material
ASA, colored
8. Locking Nut Material
ABS, black
9. Gasket Material
PVC, black
10. Bottom cover material
ABS, colored
11. Termination
Screw terminals
12. Mounting hardware (nut, and gasket) included

DIMENSIONAL CHARACTERISTICS



unless otherwise specified, all dimensions are in millimeters

CERTIFICATIONS

RoHS
COMPLIANT



OPTIONS

Additional options and lens styles available. Please contact Wamco for more information.

wamco
LIGHTING